

FRIENDLY ENVIRONMENT  
LOW MOVEMENT COST  
COMFORTABLE DRIVE  
HANDY OPERATION  
EASY MOVEMENT  
FUEL EFFECINCEY



## EZC-HD22

### OPERATING WEIGHT

15 100 kg (33 290 lb) –

16 520 kg (34 216 lb)

### HORSE POWER (NET)

164 kW (220 Hp)

## EZC-HD22EX

### OPERATING WEIGHT

18 660 kg (41 138 lb) –

20 160 kg (44 445 lb)

### HORSE POWER (NET)

264 kW (360 Hp) –

## EZC-HD22M

### OPERATING WEIGHT

22 200 kg (48 943 lb) –

24 100 kg (53 131 lb)

### HORSE POWER (NET)

364 kW (360 Hp) –

**DOZER YOUR EARTH AND WASTE**

# WHEEL DOZER



ISO 14001:2015



9001:2015

**EZCON**  
CORPORATION



Engineered  
for  
Productivity  
and  
Precision

## EZC-HD22 SERIES

ROAD AND HIGHWAY  
CONSTRUCTION  
LANDFILL  
FORESTRY  
FOUNDRY  
QUARRY

WHEEL DOZERS

## ENGINE

	EZC-HD22	EZC-HD22 EX	EZC-HD22 M	EZC-HD22 XL	EZC-HD22 XLS
Make and model	6CTA8.3-C240	6CTA8.9-C360	L340-20	L340-20	L340-20
Emissions standard	EUIII/EU Stage IIIA	EUIII/EU Stage IIIA	EUIII/EU Stage IIIA	EUIII/EU Stage IIIA	EUIII/EU Stage IIIA
Displacement	8 300 CC	8 900 CC	8 900 CC	8 900 CC	8 900 CC
Bore and stroke	114x135 mm	140x152 mm	140x152 mm	114x145 mm	114x145 mm
Gross horsepower, SAE J1995	192 kW (257 Hp)	281 kW (376 Hp)	265 kW (359 Hp)	265 kW (359 Hp)	265 kW (359 Hp)
Net horsepower, SAE J1349/ISO 9249 at max. speed of hydraulic fan	179 kW (240 Hp)	264 kW (360 Hp)	250 kW (340 Hp)	250 kW (340 Hp)	250 kW (340 Hp)
Rated RPM	2 200	2 200	2 200	2 200	2 200
Max. torque	782 N.m @ 2200 rpm 2,200 rpm	1400N.m @ 1500RPM 1,500 rpm	1350N.m @ 1500RPM 1,500 rpm	1350N.m @ 1500RPM	1350N.m @ 1500RPM 1,500 rpm
Air cleaner	2-stage, dry type, with dash mounted electronic service indicator	2-stage, dry type, with dash mounted electronic service indicator	Cummins Filtration Direct Flow™, dry type, exhaust aspiration, with dash-mounted electronic service indicator	2-stage, dry type, with dash mounted electronic service indicator	Cummins Filtration Direct Flow™, dry type, with dash-mounted electronic service indicator
Cold-starting aid	Grid heater	Grid heater	Ether	Grid heater	Ether
Grade ability	25°				

## COOLING

	EZC-HD22	EZC-HD22 EX	EZC-HD22 M	EZC-HD22 XL	EZC-HD22 XLS
Type	Suction-type fan, belt driven with perforated engine side sheets and heavy duty louvered front grill	Suction-type fan, belt driven with perforated engine side sheets and heavy duty louvered front grill	Suction-type variable-speed fan, hydraulically driven with perforated engine side sheets and heavy duty louvered front grill	Suction-type fan, belt driven with perforated engine side sheets and heavy duty louvered front grill	Suction-type variable-speed fan, hydraulically driven with perforated engine side sheets and heavy duty louvered front grill
Engine coolant rating	-37 C (-34 F)				

## BRAKES

	EZC-HD22	EZC-HD22 EX/EZC-HD22 M	EZC-HD22 XL/EZC-HD22 XLS
Service	Air assisted oil disc on four wheel.		
Parking	Air assisted oil disc on four wheel		

## ELECTRICAL

	EZC-HD22	EZC-HD22 EX/EZC-HD22 M	EZC-HD22 XL	EZC-HD22 XLS
Voltage	24 V - 120amp			
Number of batteries	2			
Battery capacity	960 CCA	815 CCA	815 CCA	
Alternator rating	70 A	50 A	50 A	80 A
Lights	4 total; cab mounted (2F & 2R), 2F lift cylinders and 2R fuel tank mounted			

## HYDRAULICS

	EZC-HD22	EZC-HD22 EX/EZC-HD22 M	EZC-HD22 50XL/EZC-HD22 XLS
Type	Open-center hydraulic system with fixed-displacement tandem-gear pumps		Open-center hydraulic system with fixed-displacement multiple-pumps gear type
Pump displacement	250 L/min (66 gpm)	250 L/min (66 gpm)	250 L/min (66 gpm)
System relief pressure	20.5 MPa (2,840 psi)	20.5 MPa (2,840 psi)	20.5 MPa (2,840 psi)
Control	single joystick lever		

## OPERATOR STATION

	EZC-HD22	EZC-HD22 EX/EZC-HD22 M	EZC-HD22XL/EZC-HD22 XLS
	ROPS (ISO 3471 - 2008) and FOPS (ISO 3449 - 2005)		

## SERVICEABILITY

	EZC-HD22	EZC-HD22 EX	EZC-HD22 M	EZC-HD22 XL	EZC-HD22 XLS
Refill Capacities					
Fuel tank	380 L (100 US gal)	380L(100.4US gal)	330L(87.2 US gal)	490 L (130 US gal)	420 L (115 US gal)
Cooling system	34 L (9 US gal)	50 L (13.2 US gal)	27 L (7.1 US gal)	50 L (13.5 US gal)	37 L (9.8 US gal)
Engine oil	18.5 L (4.9 US gal)	23 L (6.1 US gal)	18.5 L (4.9 US gal)	22.5 L (6 US gal)	
Transmission system	125 L (33 US gal)	153 L (40.4 US gal)		173 L (45.8 US gal)	
Final drive, each side	28 L (7.4 US gal)	40 L (10.6 US gal)		38 L (10 US gal)	
Hydraulic reservoir	80 L (21.1 US gal)	80 L (21.1 US gal)		115 L (30.4 US gal)	
AdBlue (DEF)	-	-	20 L (5.3 US gal)	-	37.5 L (10 US gal)



# POWERTRAIN

EZC-HD22

EZC-HD22 EX/EZC-HD22 M

EZC-HD22XL/EZC-HD22XLS

Transmission	Single stage torque converter drives to transmission through a double universal joint. Modular, countershaft type power shift transmission, electro-hydraulic control. Preset travel speed and auto-downshift.			
Torque converter stall ratio	2.1:1	2.6:1	2.3:1	2.3:1
Steering	Exclusive 2-speed geared steering module provides gradual turns while maintaining full power to both tracks plus conventional clutch-brake performance for tight or pivot turns. Coupled to 3-speed transmission, the 2-speed steering provides 6 speeds forward and 6 reverse. The left hand joystick controls transmission and steering drive for up and down shifting, steering, Hi/Lo selection and LH/RH gradual turn.			
Final drives	Double-reduction final drives mounted independently of track frames and dozer push arms for isolation from shock loads	Double-reduction final drives mounted independently of track frames and dozer push arms for isolation from shock loads	Double-reduction planetary type final drives mounted independently of track frames and dozer push arms for isolation from shock loads	
Total ratio	10.32 to 1	12.1 to 1		17.56 to 1

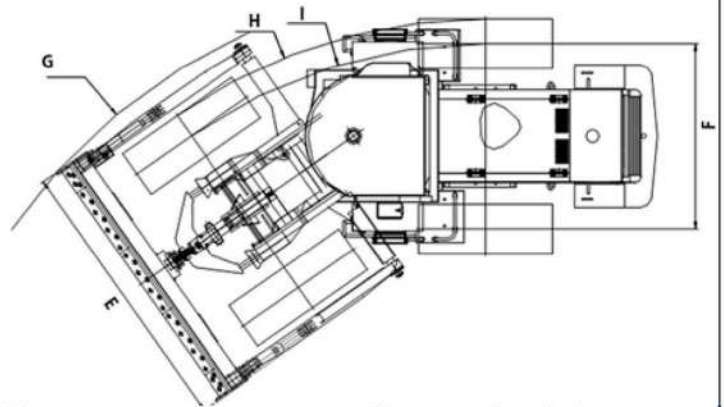
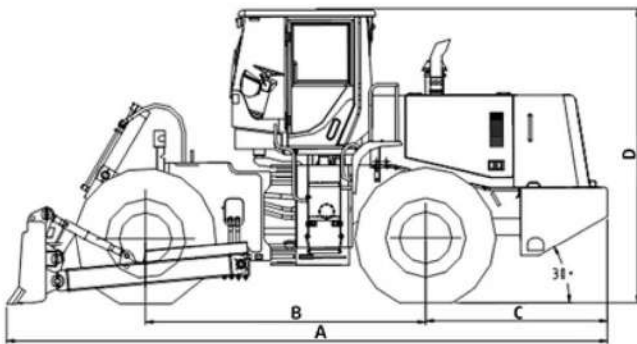
Travel speeds		EZC-HD22	
Gear	Range	Forward max	Reverse max
1st	High	20 km/h (12.41 mph)	17 km/h (11.8 mph)
2nd	High	30 km/h (18.64 mph)	25 km/h (15.53 mph)
3rd	High	40 km/h (24.85 mph)	35 km/h (21.74 mph)
4th	High	40 km/h (24.85 mph)	



# MACHINE DIMENSIONS

	EZC-HD22		EZC-HD22 EX	
Overall height -ROPS	3 450 mm (136 in)		3 450 mm (136 in)	
Foothold height	914 mm (36 in)		914 mm (36 in)	
Ground clearance	405 mm (15.9 in)		430 mm (16.9 in)	
Overall length	7 100 mm (280 in)		7 100 mm (280 in)	
Wheelbase	3 250 mm (127.9 in)		3 250 mm (127.9 in)	3 250 mm (127.9 in)
Shovel Height	1 000 mm (39.3 in)	1 000 mm (39.3 in)	1 100 mm (43.3 in)	
Wheel track	2 240mm (88.1 in)		2 240mm (88.1 in)	
Maximum lift height of blade	1 060 mm (41.7 in)		1 060 mm (41.7 in)	
Blade Length	3 600 mm (141.73 in)	3 800 mm (149.6 in)	3 600 mm (141.73 in)	3 800 mm (149.6 in)
Down Depth	400 mm (15.74 in)	400 mm (15.74 in)	400 mm (15.74 in)	400 mm (15.74 in)

	EZC-HD22 M		EZC-HD22 XL/EZC-HD22 XLS	
Overall height -ROPS	3 650 mm (143.7 in)		3 650 mm (143.7 in)	
Foothold height	914 mm (36 in)		914 mm (36 in)	
Ground clearance	420 mm (16.53 in)		420 mm (16.53 in)	
Overall length	7 900 mm (313 in)		7 900 mm (313 in)	
Wheelbase	3 450 mm (135.82 in)		3 450 mm (135.82 in)	3 550 mm (139.76 in)
Shovel Height	1 000 mm (39.3 in)	1 000 mm (39.3 in)	1 100 mm (43.3 in)	
Wheel track	2 240mm (88.1 in)		2 240mm (88.1 in)	
Maximum lift height of blade	1 060 mm (41.7 in)		1 060 mm (41.7 in)	
Blade Length	3 600 mm (141.73 in)	3 800 mm (149.6 in)	3 600 mm (141.73 in)	3 800 mm (149.6 in)
Down Depth	400 mm (15.74 in)	400 mm (15.74 in)	400 mm (15.74 in)	400 mm (15.74 in)



Cab heater



Engine cold start system



Tire protection chains

